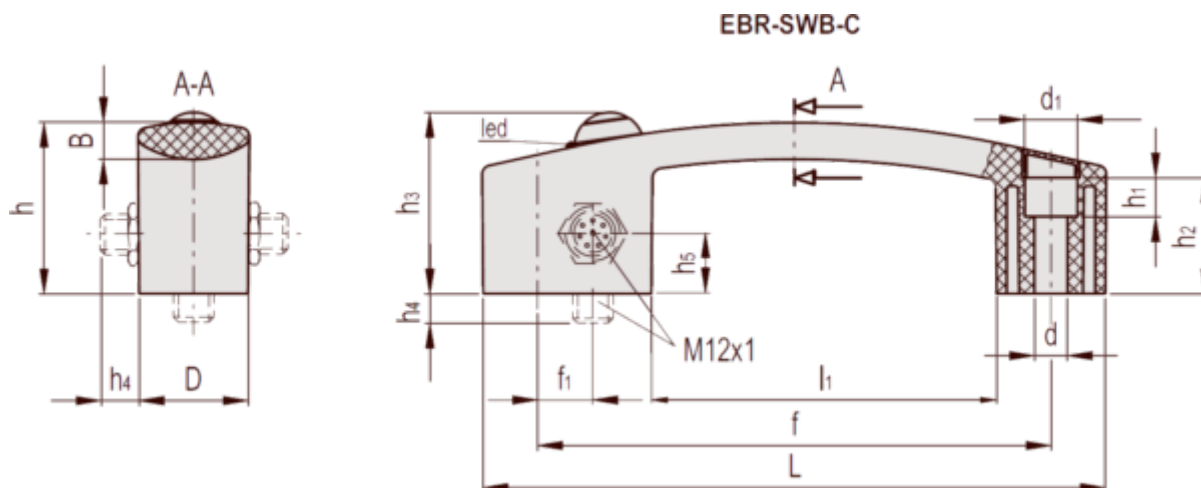


Article number: 2304260571C1

Description: E+G EBR.150-SWB-B-C

Measures



B	= 8.5	h	= 44	L1 (J)	= 35
d	= 8.5	h ₁	= 10	L2 (J)	= 8
D	= 28	h ₂	= 30	Weight in (g)	= 96
d ₁	= 13.5	h ₃	= 47		
f	= 132±0.5	h ₄	= 11		
f ₁	= 16	h ₅	=		
F1 (N)	= 2800	l ₁	= 89		
F2 (N)	= 2900	L	= 160		